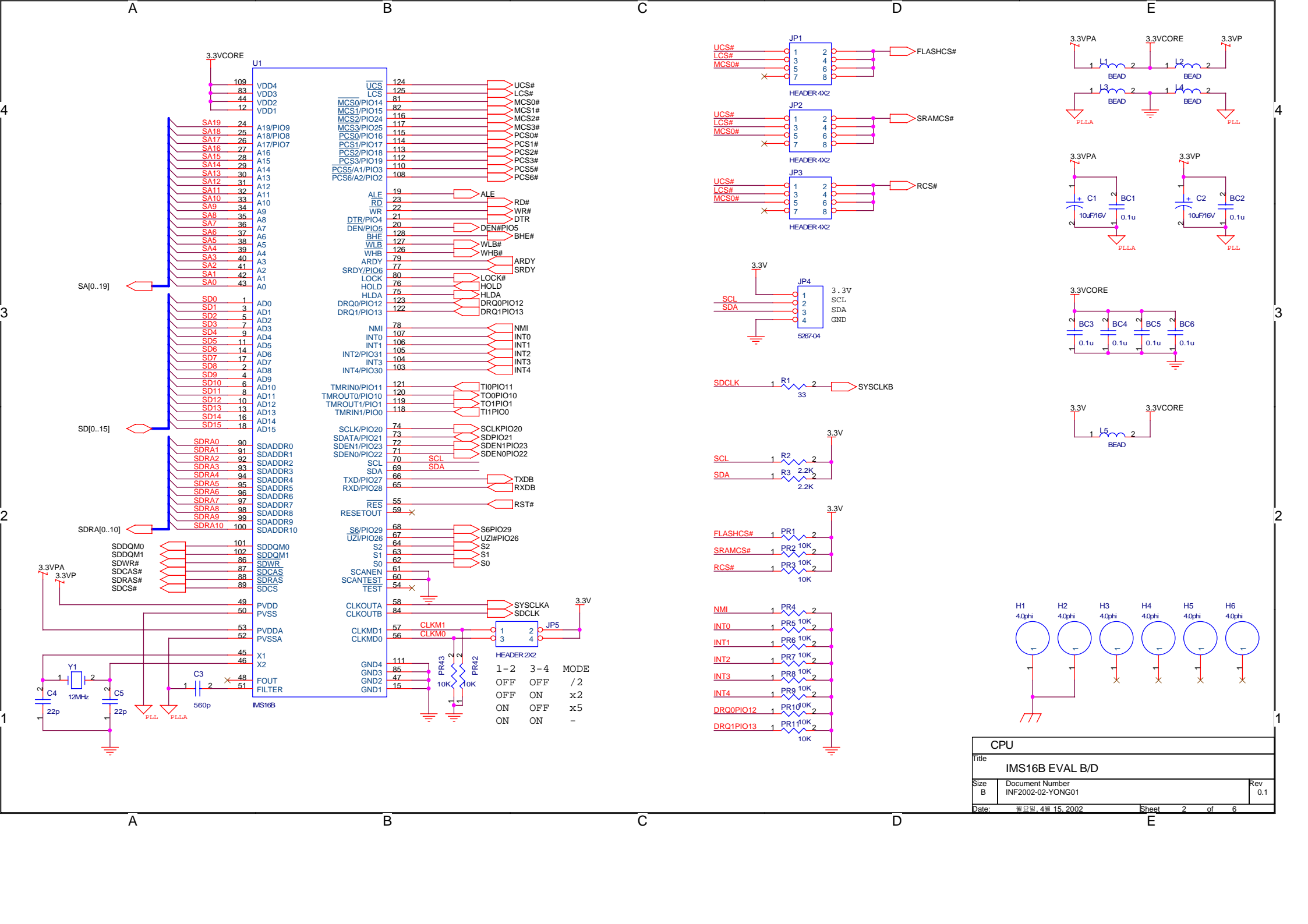
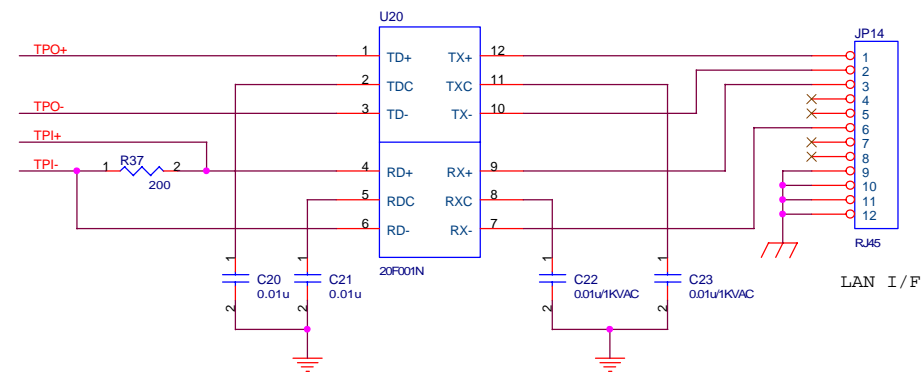
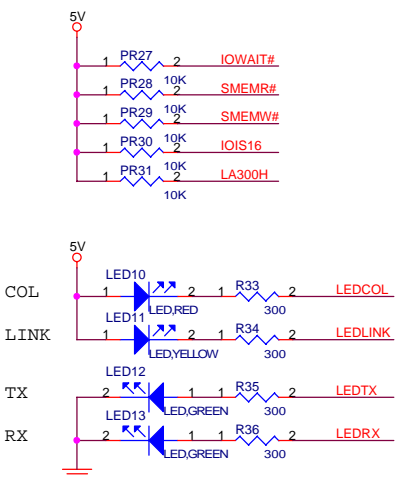
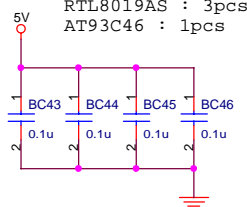
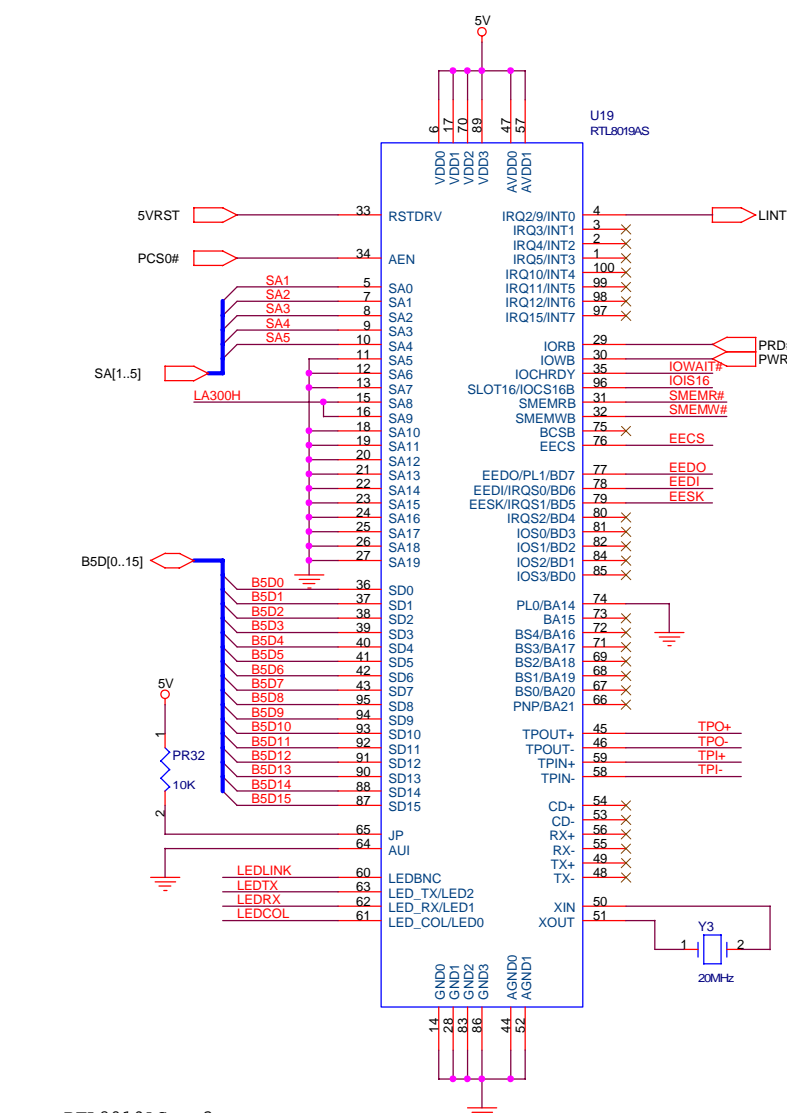
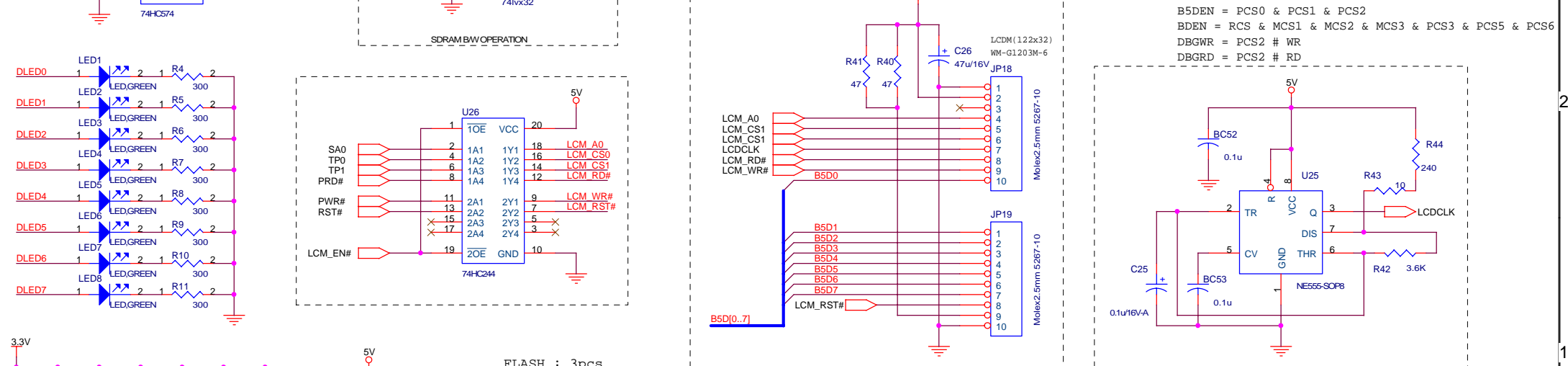
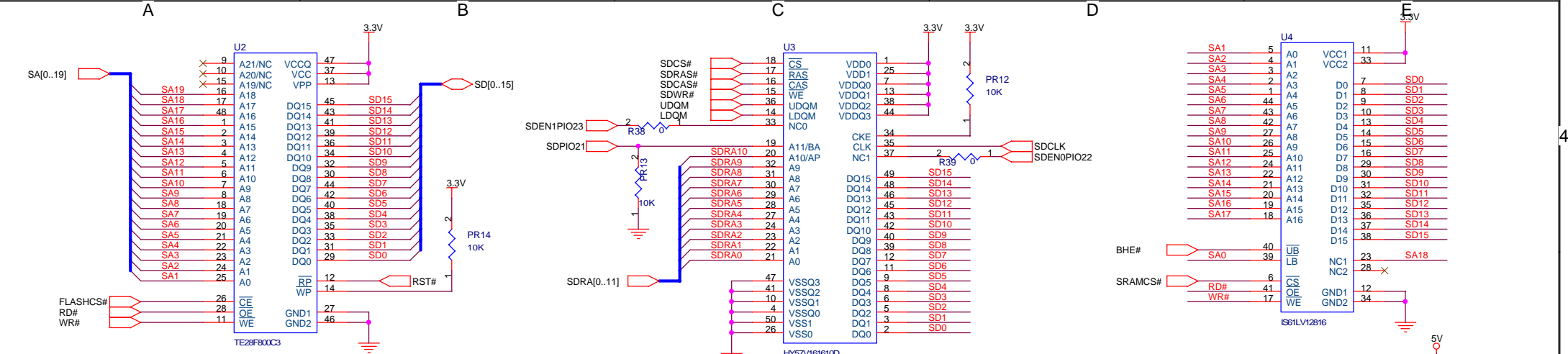


BUFFER / EXPANSION CONNECTOR		
Title	IMS16B EVAL B/D	
Size B	Document Number	Rev
	INF2002-02-YONG01	0.1
Date:	월요일, 4월 15, 2002	Sheet 1 of 6

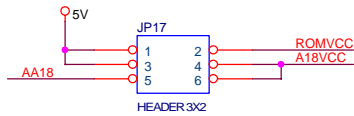
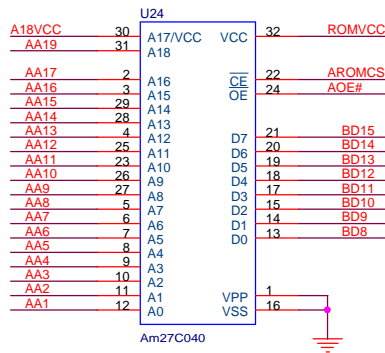
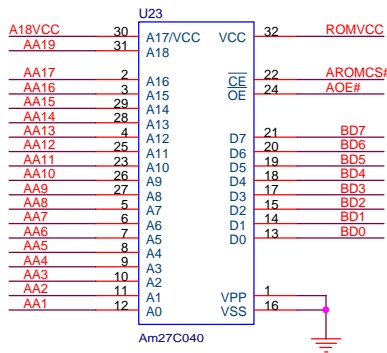
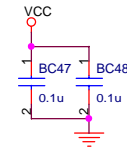
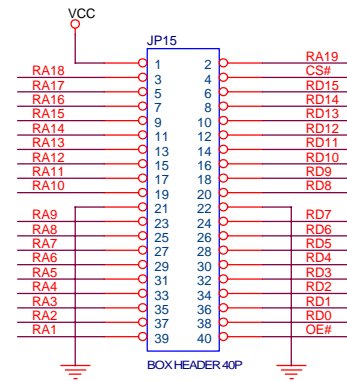
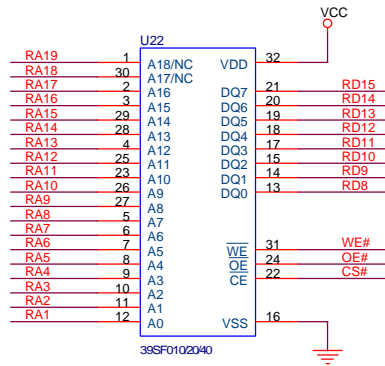
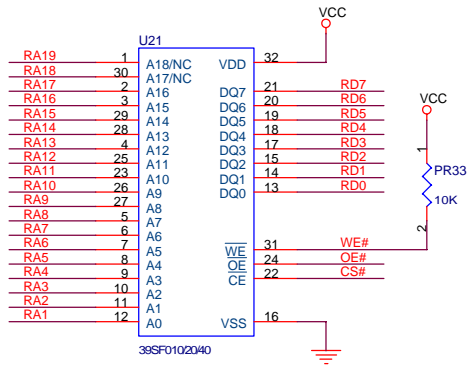




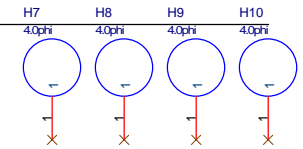
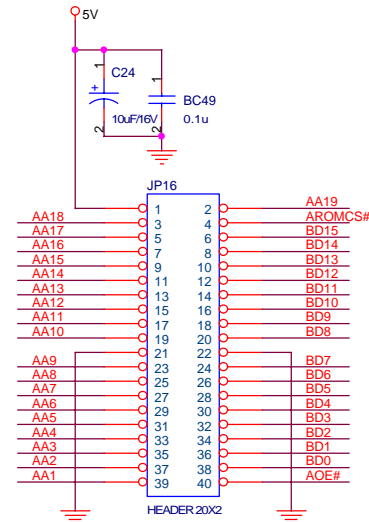
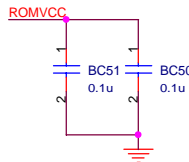
ETHERNET (10BASE-T)		
Title IMS16B EVAL B/D		
Size B	Document Number INF2002-02-YONG01	Rev 0.1
Date: 월요일, 4월 15, 2002	Sheet 3	of 6



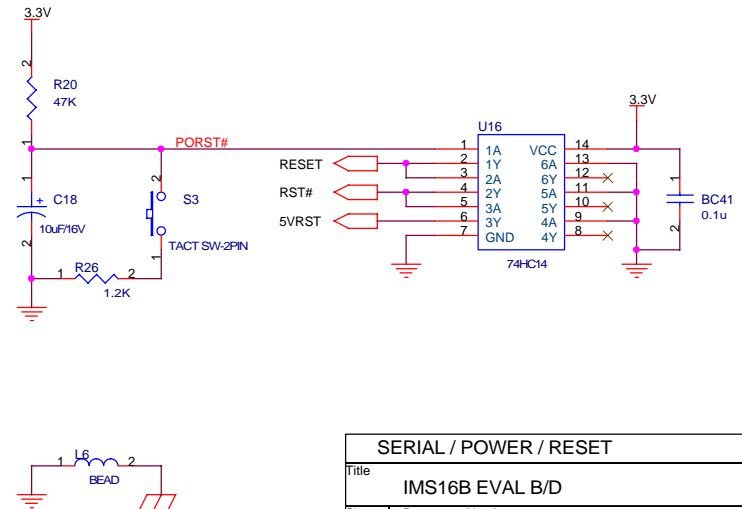
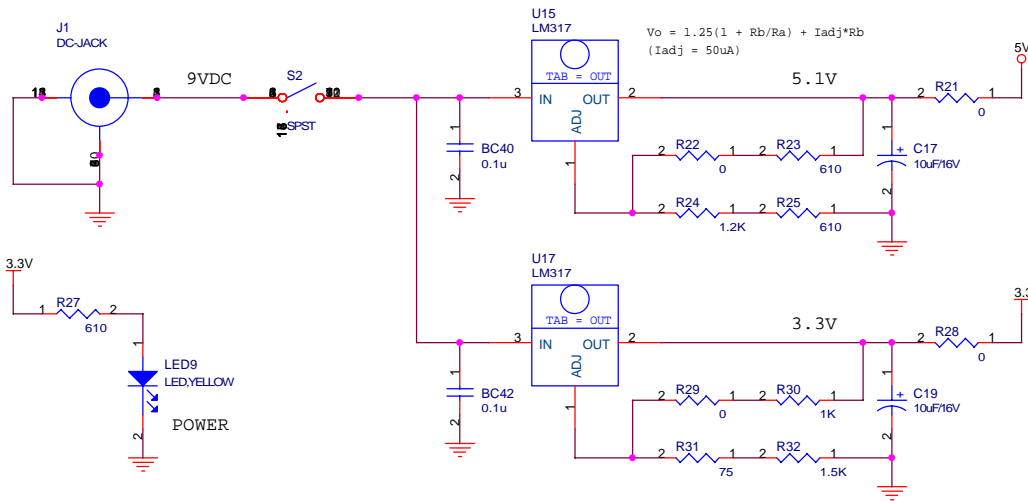
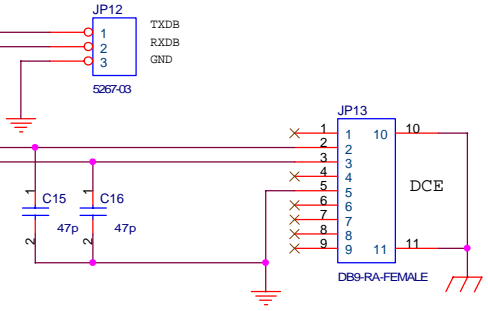
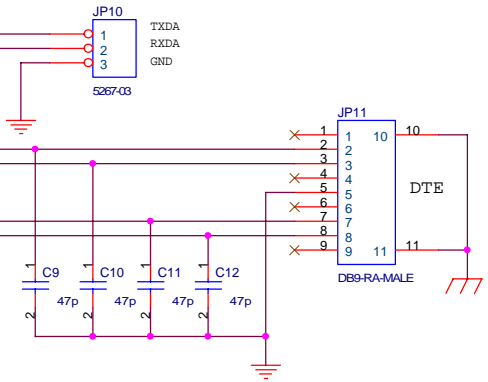
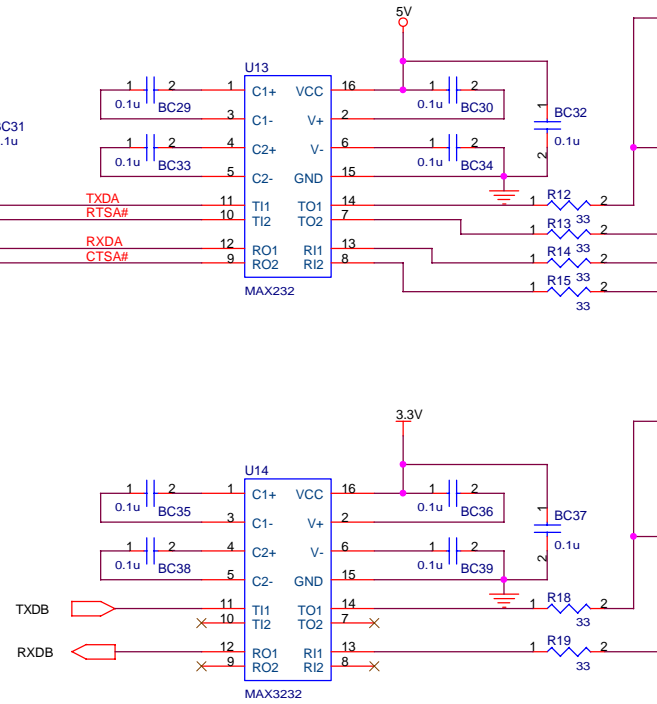
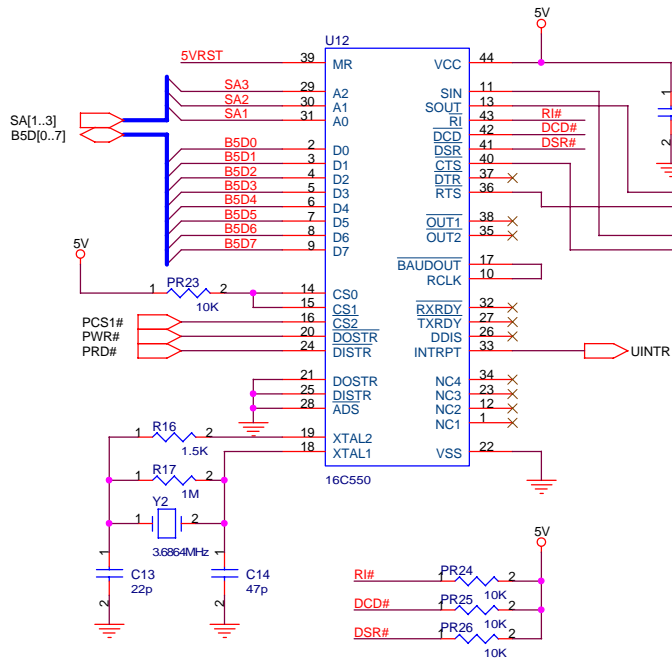
MEMORY / DEBUG PORT		
Title IMS16B EVAL B/D		
Size B	Document Number INF2002-02-YONG01	Rev 0.1
Date:	월요일, 4월 15, 2002	Sheet 4 of 6



MODE	1-2	3-4	5-6
27C512	X	ON	OFF
27C040	ON	OFF	ON
EMUL.040	OFF	OFF	ON



ROM ADAPTOR / POWER MODULE		
Title ROM Adaptor module		
Size B	Document Number INF2002-02-YONG01	Rev 1.0
Date: 월요일, 4월 15, 2002	Sheet 3	of 3



SERIAL / POWER / RESET		
Title	IMS16B EVAL B/D	
Size	Document Number	Rev
B	INF2002-02-YONG01	0.1
Date:	월요일, 4월 15, 2002	Sheet 6 of 6